

# Product data sheet

Specifications

SQUARE D



## Square D Pumptrol, water pump switch 9013FS, adjustable diff., 20 40 PSI

9013FSG2J20M1

Product availability : Stock - Normally stocked in distribution facility

**Price\* : 25.40 USD**

### Main

Range of Product	Square D Pumptrol
Pressure sensor name	9013FS
Pressure sensor size	65 psi (448.16 kPa) 5...45 psi (34.47...310.26 kPa))
Value of setting	20...40 psi
Electrical circuit type	Power circuit
Product Specific Application	Control electrically driven water pumps
Quantity per Set	1
Type of Packing	Individual

### Complementary

Pressure sensor type	Electromechanical pressure switch
Controlled fluid	Fresh water -22...257 °F (-30...125 °C))
Adjustable range on rising pressure	20...65 psi (137.90...448.16 kPa)
Approximate adjustable differential	15...30 psi (103.42...206.84 kPa)
Destruction pressure	220 psi (1516.85 kPa)
Pressure actuator	Diaphragm
Pressure switch type of operation	Regulation between 2 thresholds
Scale type	Adjustable differential
Setting	Internal
Local display	Without
Contacts type and composition	2 NC, snap action, DPST-DB, Form YY
Cable entry number	2 0.88 in (22.35 mm) cable entries with 0.84 in across flats UL 508
Electrical connection	Screw-clamp terminals 10 AWG Screw-clamp terminals 5.261 mm <sup>2</sup>
Fluid connection type	0.25 inch NPSF internal UL 508
Short-circuit protection	20 A cartridge fuse gG
Materials in contact with fluid	Zinc plated steel or equivalent flange Nitrile (Buna-N) or equivalent rubber diaphragm

\* Price is "List Price" and may be subject to a trade discount – check with your local distributor or retailer for actual price.

<b>Material</b>	Polypropylene Cover Noryl thermoplastic resin or equivalent Cover
<b>Operating position</b>	Any position
<b>Motor power kW</b>	1.5 kW 2 hp)230 V AC, 1 phase 1.1 kW 1.5 hp)115 V AC, 1 phase 1.5 kW 2 hp)115 V AC, 3 phase 2.2 kW 3 hp)230 V AC, 3 phase 0.75 kW 1 hp)460 V AC, 3 phase 0.75 kW 1 hp)575 V AC, 3 phase
<b>Electrical durability</b>	100000 cycles 10 cyc/mn
<b>Mechanical durability</b>	300000 cycles
<b>Terminal block type</b>	4 terminals
<b>Maximum operating rate</b>	10 cyc/mn
<b>[Ui] rated insulation voltage</b>	575 V UL 508
<b>Net Weight</b>	1 lb(US) (0.45 kg)
<b>Repeat accuracy</b>	+/- 3 %
<b>Terminals description ISO n°1</b>	L1-T1 L2-T2
<b>Width</b>	3.1 in (78.74 mm)
<b>Height</b>	2.8 in (71.12 mm)
<b>Depth</b>	3.76 in (95.50 mm)
<b>Factory modification</b>	Maintained manual cut-out lever (AUTO-OFF)

## Environment

<b>Standards</b>	NSF ANSI 61 Annex G UL 508 CE
<b>Ambient Air Temperature for Operation</b>	-33...257 °F (-36...125 °C)
<b>Ambient Air Temperature for Storage</b>	-33...257 °F (-36...125 °C)
<b>Protective treatment</b>	None
<b>NEMA degree of protection</b>	NEMA 1 UL 50
<b>IP degree of protection</b>	IP20 conforming to IEC 60529
<b>Product Certifications</b>	CSA file LR25490 UL listed file E12158

## Ordering and shipping details

<b>Category</b>	21534-9013 FSG,FYG (INDIVIDUAL - CP7I)
<b>Discount Schedule</b>	CP7I
<b>GTIN</b>	785901562375
<b>Returnability</b>	Yes
<b>Country of origin</b>	MX

## Packing Units

<b>Unit Type of Package 1</b>	PCE
<b>Number of Units in Package 1</b>	1
<b>Package 1 Height</b>	10.16 in (25.806 cm)
<b>Package 1 Width</b>	4.00 in (10.16 cm)
<b>Package 1 Length</b>	25.81 in (65.548 cm)

<b>Package 1 Weight</b>	13.76 oz (390.089 g)
<b>Unit Type of Package 2</b>	PAL
<b>Number of Units in Package 2</b>	800
<b>Package 2 Height</b>	40.00 in (101.6 cm)
<b>Package 2 Width</b>	40.00 in (101.6 cm)
<b>Package 2 Length</b>	48.00 in (121.92 cm)
<b>Package 2 Weight</b>	754.68 lb(US) (342.316 kg)

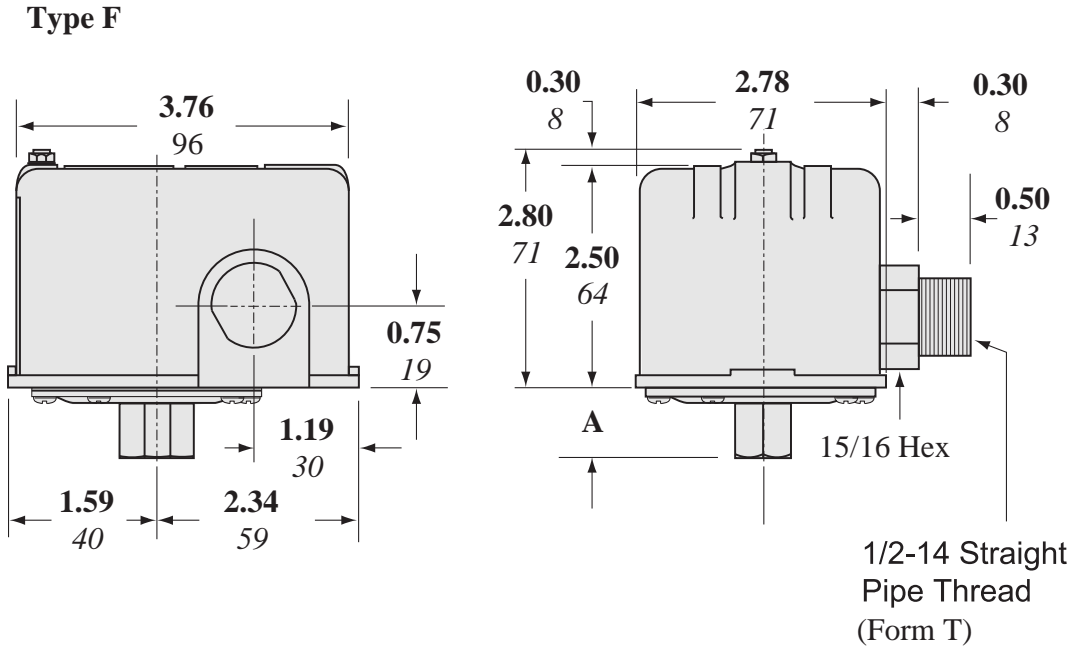
## Offer Sustainability

<b>California proposition 65</b>	WARNING: This product can expose you to chemicals including: Diisononyl phthalate (DINP), which is known to the State of California to cause cancer, and Di-isodecyl phthalate (DIDP), which is known to the State of California to cause birth defects or other reproductive harm. For more information go to <a href="http://www.P65Warnings.ca.gov">www.P65Warnings.ca.gov</a>
<b>EU RoHS Directive</b>	Pro-active compliance (Product out of EU RoHS legal scope) <a href="#">EU RoHS Declaration</a>
<b>Mercury free</b>	Yes
<b>RoHS exemption information</b>	<a href="#">Yes</a>
<b>Environmental Disclosure</b>	<a href="#">Product Environmental Profile</a>
<b>Circularity Profile</b>	<a href="#">End of Life Information</a>

## Contractual warranty

<b>Warranty</b>	18 months
-----------------	-----------

**Dimensions**



Switch Type	A Dimension		in. mm
	in.	mm	
FSG1, FYG1	1-1/32	26	
FHG2, 12, 22, 32, 42, 52, FRG2, FSG2, FYG2	29/32	23	
FHG3, 13, 33, FRG3, FSG3, FYG3	1-9/32	33	
FHG9, 19, 29, 39, 49, 59, FSG9, FYG9	1-3/32	28	

ALL DIMENSIONS ARE APPROXIMATE.  
 ALSO REFER TO TECHNICAL DRAWINGS AND DOCUMENTATION.